



THANK YOU FOR PURCHASING A 100% "MADE IN CANADA" PRODUCT

DESIGNED, PATENTED AND MANUFACTURED IN CANADA ENTIRELY FROM RECYCLED MATERIALS.

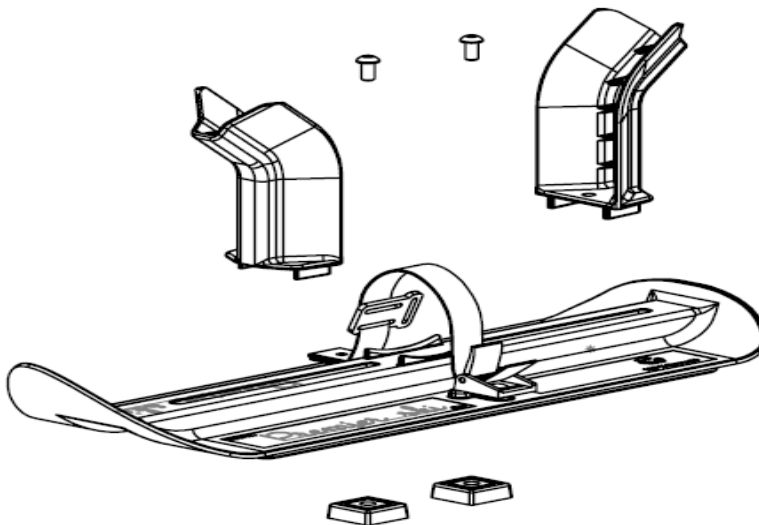
Premier Skis are designed to be used with 3- or 4-wheel strollers (single or double wheels). Installation is the same for any type of wheel; however, for double wheels, the ski is attached to the outer ski.

Assembly Instructions:

Tools required:

- 1 large square or Phillips (star) screwdriver
- 1 red or blue marker
- 1 child to help, laugh and make fun of you.

Step 1: Open the box...wait, if you are reading this then it is already open! Go directly to step 2. Box contains 8 bolts, 8 nuts, 4 supports and 4 skis (2 left, 2 right, with clip on exterior side)

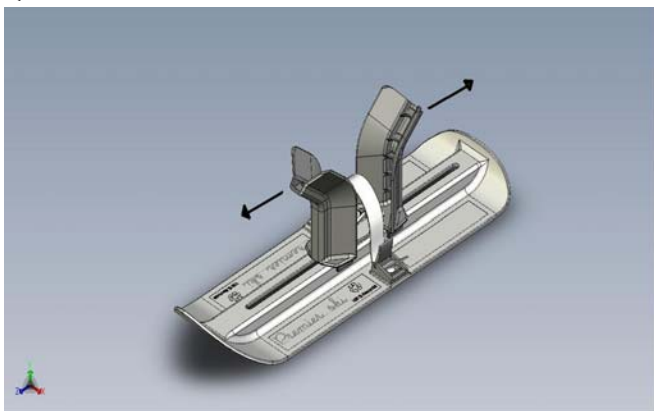


Step 2: Install the supports with the bolt & screw set provided.

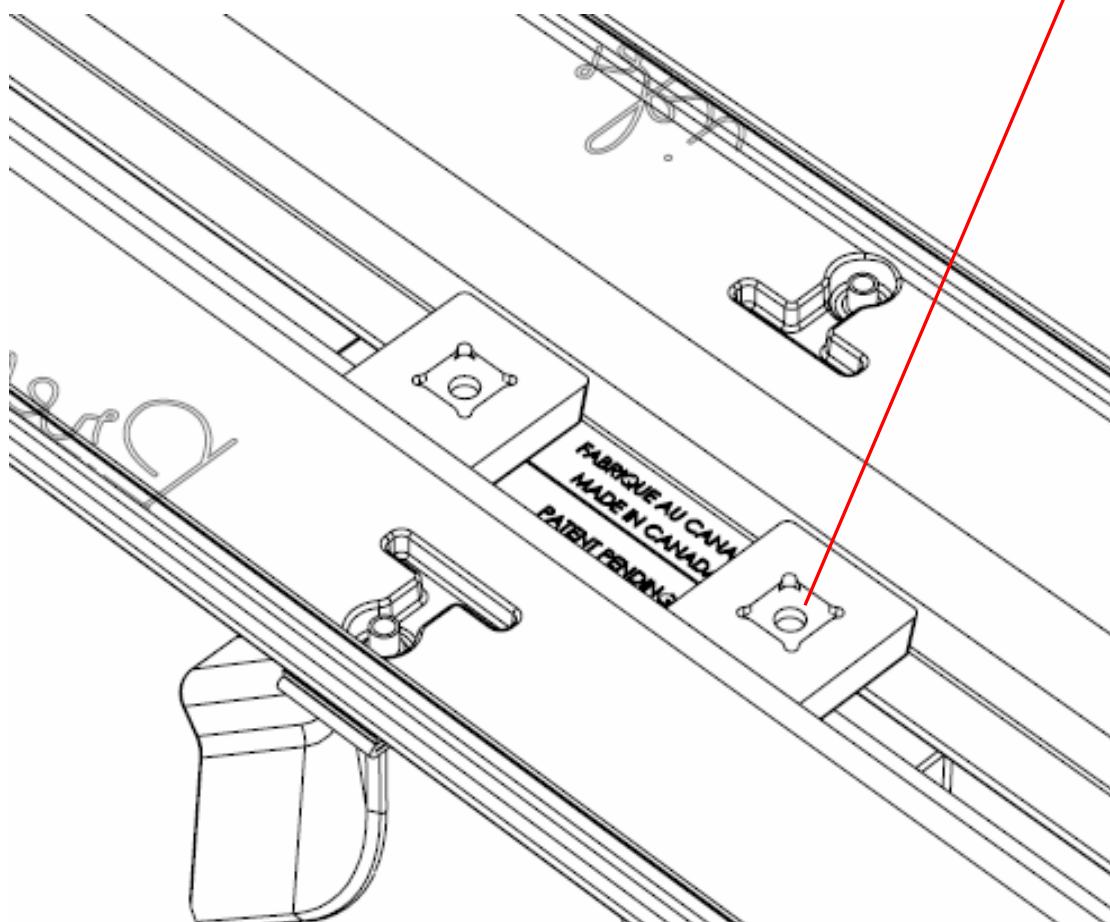
Always put metal square nut face to ground. (2)

Do not tighten them right away; they should move easily from front to back (1)

1)



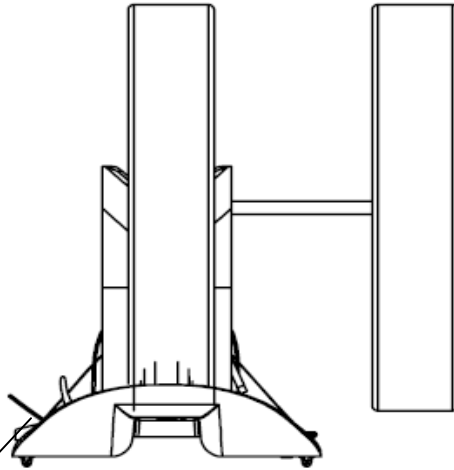
2) **IMPORTANT: METAL SQUARE NUT MUST FACE THE GROUND**



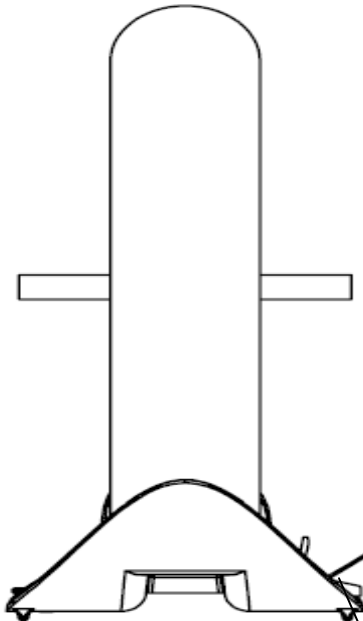
Step 3: Place the first wheel in the centre of the ski, on the curve.

Be sure to place the clip on the outside of the ski.

For double wheels, place the outside wheel on the ski. The inside wheel will simply be suspended. For single wheels, place the clip on the outer side.

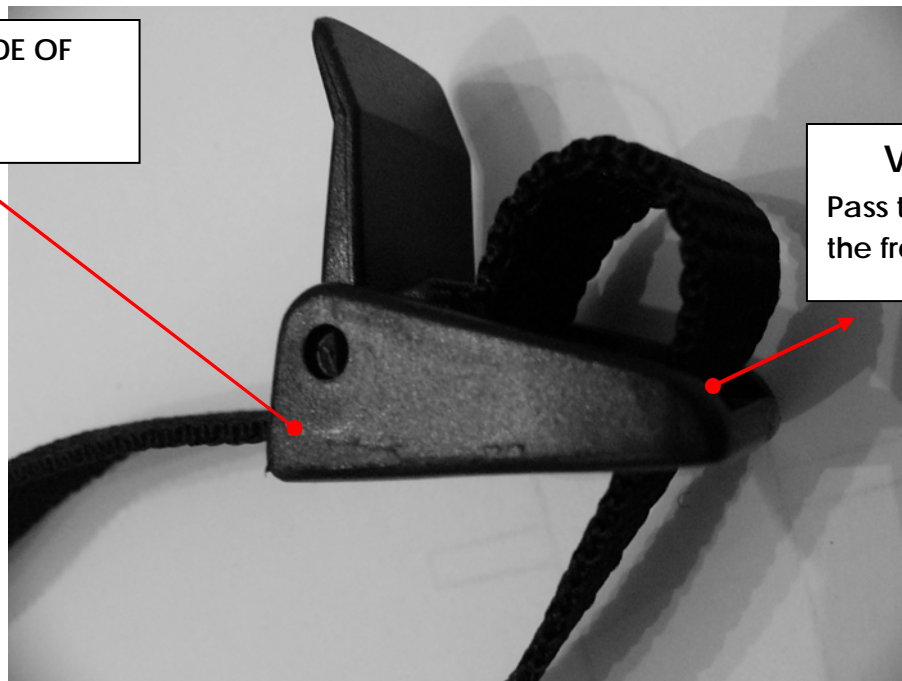


Plastic clip on outside



Same thing for single wheel

- Step 4: Slide the supports on each side so as to tighten the wheel.
Mark the position of the supports with a marker.
For smaller wheels (4" to 8"), you can screw it in place.
Simply pass your screwdriver between the support and the wheel to access the screw. Tighten.
- Step 5: Now remove the ski. Seriously, this isn't a joke! Just do it – no questions asked!
- Step 6: Put the supports back to the position previously marked and tighten the screws and bolts. If the wheels are of the same diameter, adjust the other skis to the same position and tighten.
- Step 7: Re-insert the wheel into the supports.
- Step 8: Thread the strap through the wheel and then into the clip. Pull to tighten.
Important: pass the webbing strap into the clip as per the diagram provided or else the strap will loosen easily.
Finally, lower the clip handle to secure the strap. Insert excess strap into the plastic buckle on the other side or simply tie it into a knot.



START FROM BACK SIDE OF THE CLIP.

VERY IMPORTANT
Pass the webbing strap into the front groove !

Step 9: Repeat the same process with the remaining wheels. And no, it won't take as long each time. Once adjusted, the supports can remain intact...unless you have 3 strollers, and then it would just be easier to buy another kit!

CAUTION

- 1) DO NOT USE ON A BIG HILL - SKIS DO NOT HAVE BRAKES
USER DISCRETION IS ADVISED. CAREFUL JUDGEMENT OF THE SITUATION AND TERRAIN MUST BE EMPLOYED AT ALL TIMES.
- 2) NOT FOR USE ON SKI HILLS OR ON WINTER SLIDES OF ANY KIND.

A little bit of technical info:

A GREEN PRODUCT...IS BLACK?

MADE FROM 100% POST-INDUSTRIAL HDPE (high-density polyethylene) MATERIAL

MEANING GRANULATED INDUSTRIAL WASTE THAT HAS BEEN MELTED DOWN AND INJECTED INTO A MOULD.

It is impossible to separate and sort industrial waste by colour; once the plastic is melted and mixed, it becomes gray or black. As Premier Ski is manufactured from 100% recycled material, this is the reason why it is black. The excellent quality of the Ski is not affected as resins are classified according to their future uses and HDPE material can be recycled hundreds of times without losing its properties.

How it is made:

Granulation:

<http://www.youtube.com/watch?v=xAoZmPH7o4U&feature=related>

Injection:

<http://video.google.com/videoplay?docid=3013908926230448653#docid=-1273289055700469426>